

October 2024

## Upcoming Events

Additional Seat Sale - All of October

Mystery Treats Event - 10/31 - 11/1

### FlashPoints Remote Training

(for FlashPoints Customers, only)

Restaurant Training  
Tuesdays @ 10 am ET  
Fridays @ 1 pm ET

Industrial Training  
Wednesdays @ 1 pm ET

Survey Training  
Wednesdays @ 3 pm ET

All training classes are free for  
FlashPoints Customers

Signup to request an invitation to a  
class at:

[www.flash-soft.com/training.php](http://www.flash-soft.com/training.php)

## POINTS



## Tricks -n- Treats!

Welcome to October! There's a chill in the air, the leaves are starting to turn, and 3 foot gremlins are running around in the streets with plastic knives and pillow cases demanding fuel for their Autumnal sugar rush.

At Flash-Soft, we wanted to get everyone in the mood. So we have some terrific "tricks" and amazing "treats" for you.

Version 5.0.0.0 of FlashPoints has just been released. FlashPoints can do some cool new tricks (read below for details).

We also have some exciting treats this month. For the entire month of October, add additional FlashPoints seats and save \$100 off each additional seat. Then at the end of the month we will be having a Mystery Event for FlashPoints customers, only.

Until next time...

Denis & Ray



Don't Forget to **ENHANCE** your  
FlashPoints experience with  
FlashPoints Survey!

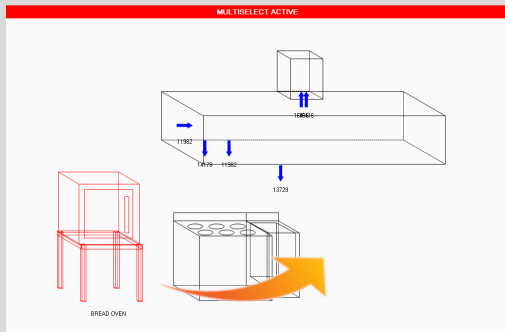
Available in the FlashPoints Store

The current version of FlashPoints is:

**Version 5.0.0.0**

Run FlashPoints to update it today!

## MultiSelect has arrived!



Click image to enlarge

Select Multiple objects  
and move them as a group



Click on the MultiSelect button  
(pictured above) on the MenuBar to  
turn on MultiSelect Mode in  
FlashPoints. Click on the items to be  
moved and then drag them to their  
new location.

To turn off MultiSelect, click the  
MultiSelect button again, or the red  
MultiSelect Active banner.

Special thanks to Rick Horstead at ABC Fire Extinguisher, Inc. in Portland,  
Oregon for suggesting this feature.

# \$100 off each Additional Seat - ALL October!



## October SALE!

This deal is for all FlashPoints customers (new and existing).

Put FlashPoints on another computer. Use it on a desktop in the office and use it on a laptop at home.

Share your FlashPoints database among multiple computers. One person could start a job and another person could finish it and submit it!

Each additional computer (after the first one at your location) gets \$100 off the regular price throughout October.

## FlashPoints Survey Additions

| Appliance | Type/Style |
|-----------|------------|
| RANGE     | 4 Burner   |

Dimensions: W: [ ] D: [ ] H: [ ]

Hood: [ ]

Shelf: [ ]

Location/Notes: [ ]

Item #1  
HOOD - Box  
Dimensions: W: 120 D: 48 H: 24  
Orientation: FRONT  
Enter Range: FRONT  
Need to plug a hole

Item #2  
RANGE - 4 Burner  
Dimensions: W: 24 D: 24 H: 36  
Shelf: 1 1/2  
Hood: 12 inches  
Hood: 1 1/2

Item #3  
SINK/WASH - MASH - 1 1/2"  
Dimensions: W: 24 D: 24 H: 36  
Orientation: FRONT

Click image to enlarge

Gas Valves and Shelves added to survey and they draw automatically!

Gas Valves can be added to surveys, like any other piece of equipment.

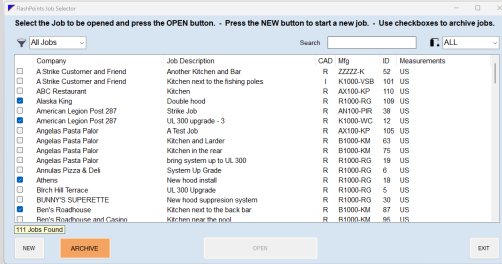
Shelves can be added over ranges and griddles just by checking the box when entering a range or griddle and specifying the shelf depth.

Special thanks to Andrew Brown at Winner Fire Protection in Frankenmuth, Michigan for bringing this to our attention.

## Archive Completed Jobs

Clean up your FlashPoints Job Selector

Checkboxes have been added to each job in the Job Selector. Check the boxes of the jobs you want to archive and remove from the Active



Click image to enlarge

NOTE: Archived jobs are not actually removed from FlashPoints. They are just removed from the Job Selector to make it easier to search through a smaller list of jobs.

job list. Then click the ARCHIVE button that appears on the window.

Archived jobs can be found by using the drop down list at the top of the Job Selector. Switch between Active Jobs, Archived Jobs, and All Jobs quickly and easily.

Archived jobs can be returned to Active jobs by reversing the process: uncheck the job, then click the ARCHIVE button.

**Special thanks to Michelle Bearden at Summit Fire & Security in Macon, Georgia for this suggestion.**

## Corrected Boilerplate Note Text

### Our customers keep us honest

One of our customers alerted us to the fact that one of the Boilerplate Notes in FlashPoints was inaccurate. The note for remote pull stations read that the pull station should be "48 inches above the floor", it should read "no higher than 48 inches above the floor". This has been correct.

If you see an incorrect note, or feel that we are missing needed notes, please send an email to [support@flash-soft.com](mailto:support@flash-soft.com) so we can get it into the next update.

**Special thanks to Keith Banks at Fortress Fire in Jacksonville, Florida for bringing this to our attention.**

## FlashPoints Enterprise Discount Program

Companies with 5 or more copies of FlashPoints are eligible to join the FlashPoints Enterprise Discount Program. Contact Flash-Soft to see how your company can take advantage of these money and time saving perks, designed just for larger enterprises.

If you are a branch office of an Enterprise customer, contact your IT help desk to get in on the fun and start using FlashPoints. To see a list of FlashPoints Enterprise Customers, visit the FlashPoints New Customer Order Form at: [www.flash-soft.com/fpstore/newcust.php](http://www.flash-soft.com/fpstore/newcust.php)



Flash-Soft, Inc, | 231 Pulaski Blvd | Bellingham, MA 02019 US

[Unsubscribe](#) | [Update Profile](#) | [Constant Contact Data Notice](#)



Try email marketing for free today!